

# NTC Thermistors



TTC Series

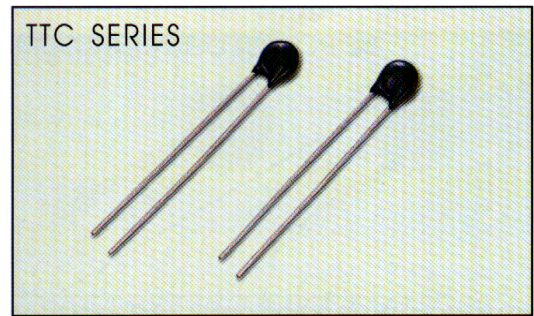
www.DataSheet4U.com

MERITEK

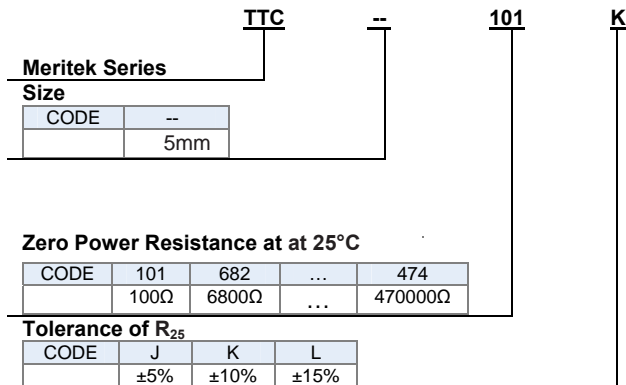
UL E223037

## Features

1. RoHS compliant
2. Body size  $\Phi 3\text{mm}$
3. Radial lead resin coated
4.  $-40 \sim +125$  operating temperature range
5. Wide resistance range
6. Cost effective
7. Agency recognition: UL

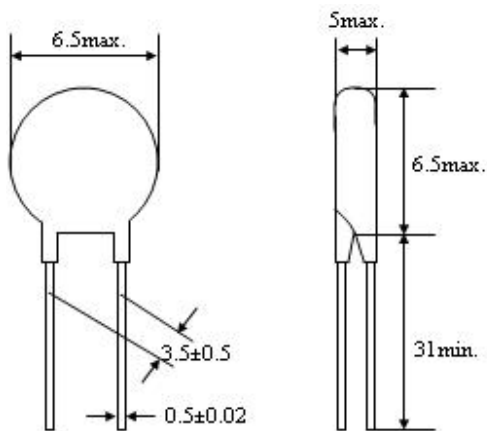


## PART NUMBERING SYSTEM

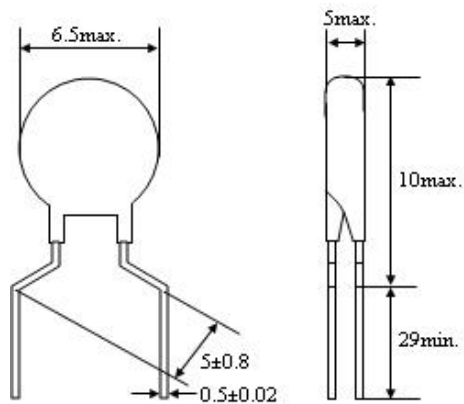


## Structure and Dimensions

### S type (Straight lead)



### I type (Inner kink lead)



(unit: mm)



### Electrical Characteristics

Part No.	Zero Power Resistance at 25°C	Tolerance of R <sub>25</sub>	B <sub>25/50</sub> Value	Max. Power Rating at 25°C	Dissipation Factor	Thermal Time Constant	Operating Temperature Range	Safety Approvals
	R <sub>25</sub> (Ω)	( ±%)	(K)	P <sub>max</sub> (mW)	δ(mW/°C)	τ(Sec.)	T <sub>L</sub> ~T <sub>U</sub> (°C)	UL
TTC--005 <sup>^</sup>	5	5、10、15	2400	450	Approx. 4.5	Approx. 20	-30~+125	
TTC--010 <sup>^</sup>	10		2800					
TTC--015 <sup>^</sup>	15		2800					√
TTC--020 <sup>^</sup>	20		2800					√
TTC--025 <sup>^</sup>	25		2900					√
TTC--045 <sup>^</sup>	45		3100					√
TTC--050 <sup>^</sup>	50		3100					√
TTC--060 <sup>^</sup>	60		3100					√
TTC--085 <sup>^</sup>	85		3200					√
TTC--090 <sup>^</sup>	90		3200					√
TTC--101 <sup>^</sup>	100		3200					√
TTC--121 <sup>^</sup>	120		3300					√
TTC--151 <sup>^</sup>	150		3300					√
TTC--201 <sup>^</sup>	200		3500					√
TTC--221 <sup>^</sup>	220		3500					√
TTC--251 <sup>^</sup>	250		3500					√
TTC--301 <sup>^</sup>	300		3800					√
TTC--471 <sup>^</sup>	470		3500					√
TTC--501 <sup>^</sup>	500		3700					√
TTC--681 <sup>^</sup>	680		3800					√
TTC--701 <sup>^</sup>	700		3800					√
TTC--102 <sup>^</sup>	1000		3800					√
TTC--152 <sup>^</sup>	1500		3950					√
TTC--202 <sup>^</sup>	2000		4000					√
TTC--222 <sup>^</sup>	2200		4000					√
TTC--252 <sup>^</sup>	2500		4000					√
TTC--302 <sup>^</sup>	3000		4000					√
TTC--332 <sup>^</sup>	3300		4000					√
TTC--402 <sup>^</sup>	4000		4000					√
TTC--472 <sup>^</sup>	4700		4050					√
TTC--502 <sup>^</sup>	5000		3950					√
TTC--602 <sup>^</sup>	6000		4050					√
TTC--682 <sup>^</sup>	6800		4050					√
TTC--802 <sup>^</sup>	8000		4050					√
TTC--103 <sup>^</sup>	10000		4050					√
TTC--123 <sup>^</sup>	12000		4050					√
TTC--153 <sup>^</sup>	15000		4150					√
TTC--203 <sup>^</sup>	20000		4250					√
TTC--303 <sup>^</sup>	30000		4250					√
TTC--473 <sup>^</sup>	47000		4300					√
TTC--503 <sup>^</sup>	50000	4300	√					
TTC--104 <sup>^</sup>	100000	4400	√					
TTC--154 <sup>^</sup>	150000	4500	√					
TTC--204 <sup>^</sup>	200000	4600	√					
TTC--224 <sup>^</sup>	220000	4600						
TTC--474 <sup>^</sup>	470000	4750	√					

Note : <sup>^</sup> = Tolerance of R<sub>25</sub>



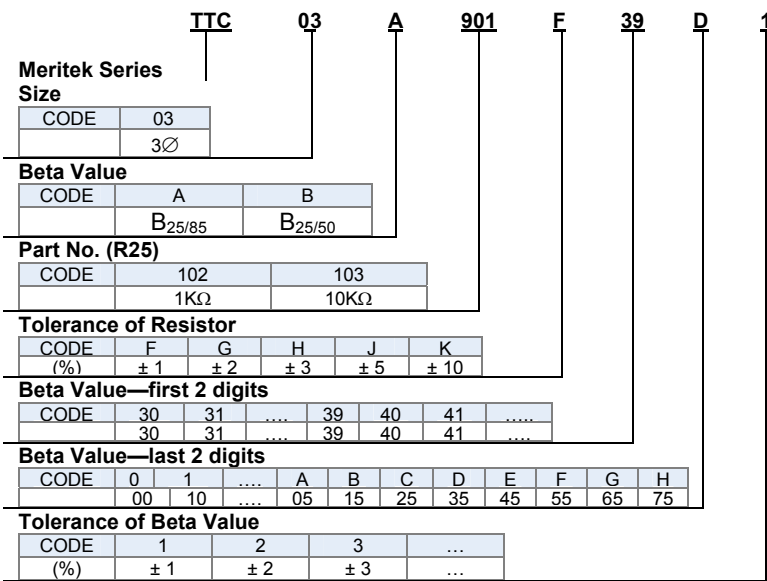
### Features

1. RoHS compliant
2. Body size  $\Phi 3\text{mm}$
3. Radial lead resin coated
4.  $-40 \sim +125^{\circ}\text{C}$  operating temperature range
5. Wide resistance range
6. Cost effective
7. Agency recognition: UL

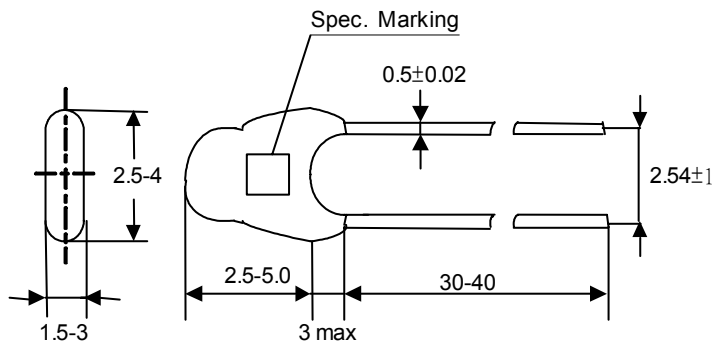
UL E223037



### PART NUMBERING SYSTEM



### Structure and Dimensions





### Electrical Characteristics

Part No.	Zero Power Resistance at 25°C	Tolerance of R <sub>25</sub>	B <sub>25/85</sub> Value	Tolerance of B value	Max. Power Rating at 25°C	Dissipation Factor	Thermal Time Constant	Operating Temperature Range	Safety Approvals
	R <sub>25</sub> (KΩ)	( ±%)	(K)	(±%)	P <sub>max</sub> (mW)	δ(mW/°C)	τ(Sec.)	T <sub>L</sub> ~T <sub>U</sub> (°C)	UL
TTC03A901^39D*	0.9	1、2、3、5、10	3935	1□2□3	150	□2.5	□18	-40~+125	√
TTC03A102^39D*	1		3935						√
TTC03A152^39D*	1.5		3935						√
TTC03A202^39H*	2		3975						√
TTC03A222^39H*	2.2		3975						√
TTC03A272^39H*	2.7		3975						√
TTC03A302^39H*	3		3975						√
TTC03A332^39H*	3.3		3975						√
TTC03A472^39H*	4.7		3975						√
TTC03A502^39H*	5		3975						√
TTC03A682^39H*	6.8		3975						√
TTC03A103^34D*	10		3435						√
TTC03A103^374*	10		3740						√
TTC03A103^39H*	10		3975						√
TTC03A123^374*	12		3740						√
TTC03A153^374*	15		3740						√
TTC03A203^374*	20		3740						√
TTC03A223^374*	22		3740						√
TTC03A333^409*	33		4090						√
TTC03A473^409*	47		4090						√
TTC03A503^39H*	50		3975						√
TTC03A503^406*	50		4060						√
TTC03A683^419*	68		4190						√
TTC03A104^419*	100		4190						√
TTC03A154^437*	150		4370						√
TTC03A224^437*	220		4370						√
TTC03A334^457*	330		4570						√
TTC03A474^457*	470		4570						√

Note 1: ^ = Tolerance of rR<sub>25</sub>

Note 2: \* = Tolerance of B value

# NTC Thermistors



TTS Series

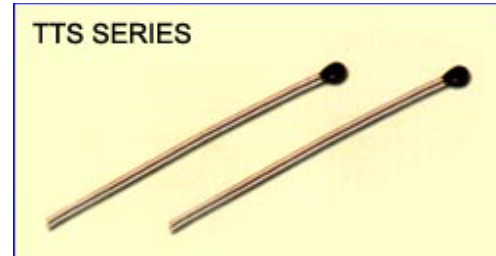
www.DataSheet4U.com

MERITEK

## Features

1. RoHS compliant
2. Body size  $\Phi 3\text{mm}$
3. Radial lead resin coated
4.  $-40 \sim +125^{\circ}\text{C}$  operating temperature range
5. Wide resistance range
6. Cost effective
7. Agency recognition: UL

UL E223037



## PART NUMBERING SYSTEM

Meritek Series		TTS	2	B	502	2	2	7	2	C
----------------	--	-----	---	---	-----	---	---	---	---	---

Size	
CODE	Body Size
1	$\Phi 2.5\text{mm}(\text{max}) \times 3\text{mm}(\text{max})$ Transparent Epoxy
2	$\Phi 2.5\text{mm}(\text{max}) \times 3\text{mm}(\text{max})$ Black Epoxy

Beta Value		
CODE	A	B
	B <sub>25/85</sub>	B <sub>25/50</sub>

Part No. (R25)	
CODE	
102	103
1K $\Omega$	10K $\Omega$

Tolerance of Resistor					
CODE	F	G	H	J	K
(%)	$\pm 1$	$\pm 2$	$\pm 3$	$\pm 5$	$\pm 10$

Beta Value—first 2 digits						
CODE	30	31	...	39	40	41
	30	31	...	39	40	41

Beta Value—last 2 digits										
CODE	0	1	...	A	B	C	D	E	F	G
	00	10	...	05	15	25	35	45	55	65

Tolerance of Beta Value			
CODE	1	2	3
(%)	$\pm 1$	$\pm 2$	$\pm 3$

Appearance			
CODE	C	D	E
	$\phi 0.25\text{mm}$ Silver plated Copper wire	$\phi 0.3 \text{mm}$ Silver plated Copper wire	$\phi 0.23\text{mm}$ enameled Copper wire
	M	P	N
	$\phi 0.23\text{mm}$ enameled manganin wire	$\phi 0.5\text{mm}$ enameled manganin wire	$\phi 0.23\text{mm}$ enameled constantan wire

# NTC Thermistors



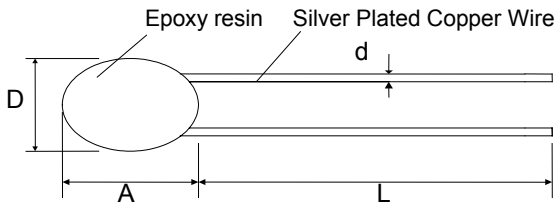
TTS Series

www.DataSheet4U.com

MERITEK

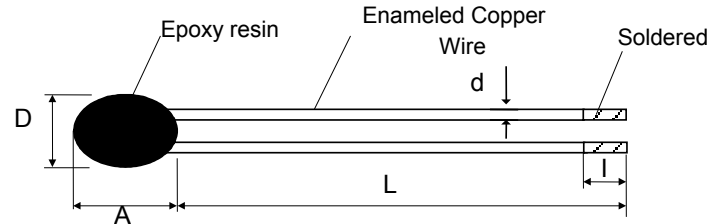
## Structure and Dimensions

### C Type



Part No.	Dmax.	Amax.	d	L
TTS1	1.6	3.0	0.25±0.02	40±2
TTS2	2.5	4.0		

### E Type



Part No.	Dmax.	Amax.	d	L	l
TTS1	1.6	3.0	0.23±0.02	80±4	4±1
TTS2	2.5	4.0			

## Electrical Characteristics

Part No.	Zero power Resistance at 25°C	Tolerance of R <sub>25</sub>	B Value		Tolerance of B value	Max. Power Rating at 25°C P <sub>max</sub> (mW)	Dissipation Factor δ(mW/°C)	Thermal Time Constant τ(Sec.)	Operating Temperature Range T <sub>L</sub> ~T <sub>U</sub> (°C)	Safety Approvals
	R <sub>25</sub> (KΩ)	(±%)	(K)		(±%)					UL
TTS#B502^327*	5	1,2,3,5,10	25/50	3270	1,2,3	45	^1	^10	-40 ~ +100	√
TTS#B502^347*	5		25/50	3470						√
TTS#B502^365*	5		25/50	3650						√
TTS#B502^395*	5		25/50	3950						√
TTS#B103^338*	10		25/50	3380						√
TTS#B103^347*	10		25/50	3470						√
TTS#B103^395*	10		25/50	3950						√
TTS#A103^34D	10		25/85	3435						√
TTS#A103^39H	10		25/85	3975						√
TTS#B203^395*	20		25/50	3950						√
TTS#A203^34D*	20		25/85	3435						√
TTS#A303^395*	30		25/85	3950						√
TTS#B473^395*	47		25/50	3950						√
TTS#B503^395*	50		25/50	3950						√
TTS#A503^34D*	50		25/85	3435						√
TTS#A833^40B*	83		25/85	4015						√
TTS#A104^34D*	100		25/85	3435						√
TTS#B104^410*	100		25/50	4100						√
TTS#A104^425*	100		25/85	4250						√
TTS#B474^439*	470		25/50	4390						√
TTS#A504^427*	500	25/85	4270	√						
TTS#B504^430*	500	25/50	4300	√						

Note 1: # = Body Size, ^ = Tolerance of R<sub>25</sub>, \* = Tolerance of B value



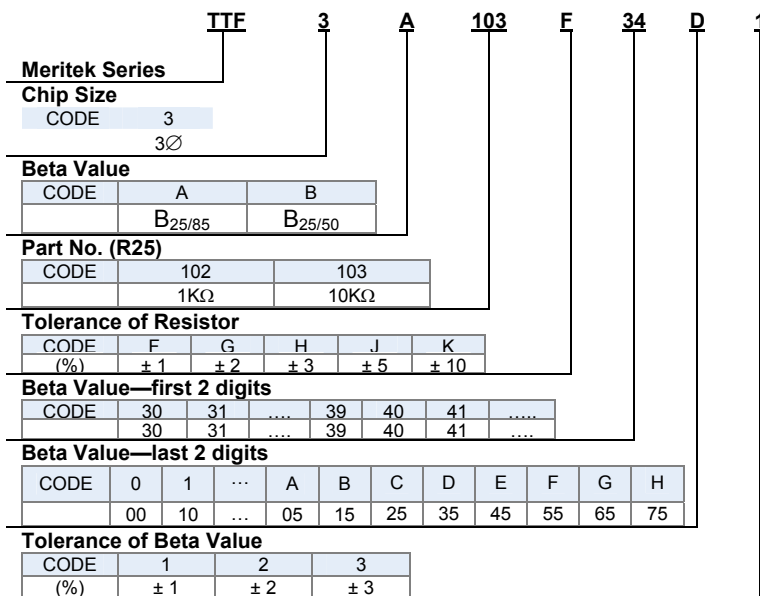
UL E223037

### Features

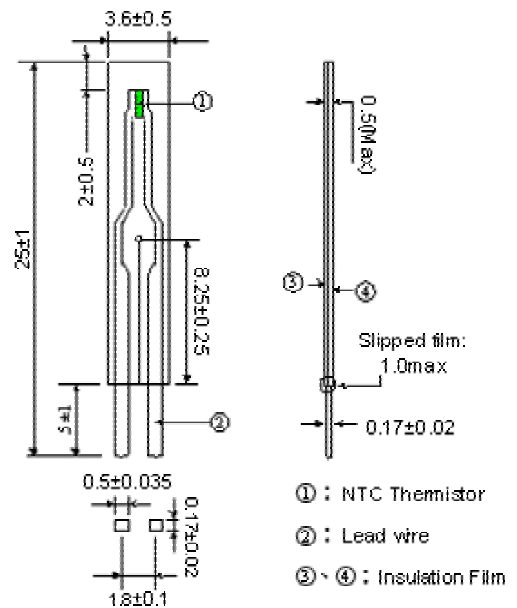
1. RoHS compliant
2. Radial leaded insulation film coated
3. -40 ~ +100°C operating temperature range
4. Agency recognition: UL



### PART NUMBERING SYSTEM



### Structure and Dimensions



### Electrical Characteristics

Part No.	Zero Power Resistance at 25°C	Tolerance of R <sub>25</sub>	B <sub>25/85</sub> Value	Tolerance of B value	Max. Power Rating at 25°C	Dissipation Factor	Thermal Time Constant	Operating Temperature Range	Safety Approvals
	R <sub>25</sub> (KΩ)								( ±%)
TTF3A502^34D*	5	1,2,3, 5,10	3435	1,2,3	3.5	Approx. 0.7	Approx. 5	-40 ~ +100	√
TTF3A103^34D*	10								√
TTF3A203^34D*	20								√
TTF3A303^34D*	30								√
TTF3A473^34D*	47								√
TTF3A473^39H*	47		3975						√
TTF3A473^419*	47		4190						√
TTF3A503^34D*	50		3435						√
TTF3A104^34D*	100		3435						√
TTF3A104^39H*	100		3975						√
TTF3A224^405*	220		4050						√

Note 1: ^ = Tolerance of R<sub>25</sub>  
 Note 2: \* = Tolerance of B value



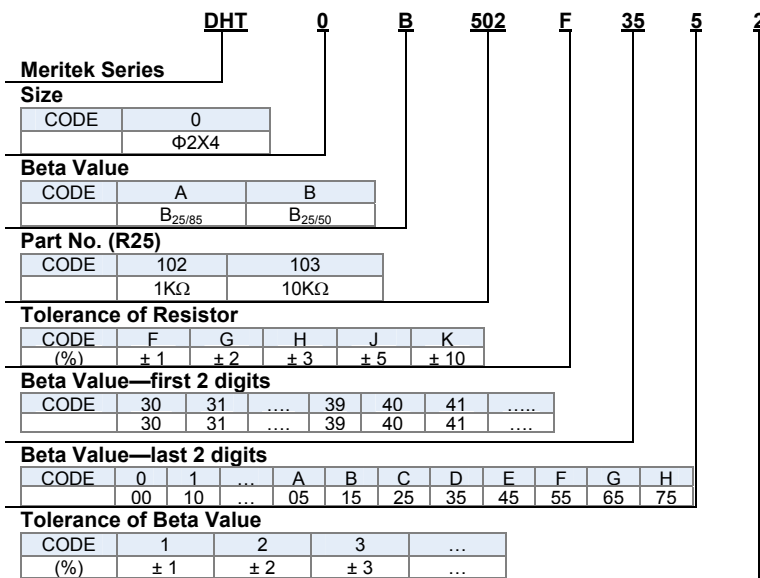
UL E223037

### Features

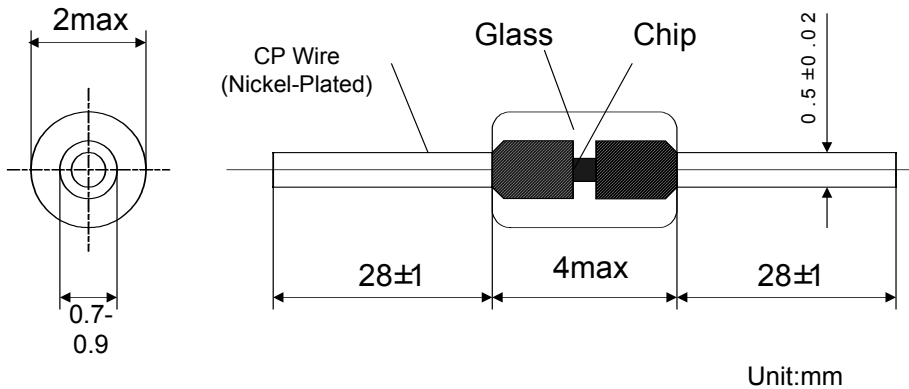
1. RoHS compliant.
2. Body size  $\phi$  2mm X 4mm.
3. Axial lead glass-sealed.
4.  $-40 \sim +300^{\circ}\text{C}$  operating temperature range.
5. Agency recognition: UL.



### PART NUMBERING SYSTEM



### Structure and Dimensions







### Electrical Characteristics

Part No.	Zero Power Resistance at 25°C	Tolerance of R <sub>25</sub> ( ±%)	B Value		Tolerance of B Value ( ±%)	Max. Power Rating at 25°C P <sub>max</sub> (mW)	Dissipation Factor δ(mW/°C)	Thermal Time Constant τ(Sec.)	Operating Temperature Range T <sub>L</sub> ~T <sub>U</sub> (°C)	Safety Approvals
	R <sub>25</sub> (KΩ)		(K)	(K)						UL
DHT0B502^355*	5	1,2,3, 5,10	25/50	3550	1,2,3	120	^2	^10	-40~+300 (Ni-plated cp wire)	√
DHT0B103^355*	10		25/50	3550						√
DHT0B103^395*	10		25/50	3950						√
DHT0A103^327*	10		25/85	3270						
DHT0A103^34D*	10		25/85	3435						√
DHT0A103^347*	10		25/85	3470						√
DHT0A103^370*	10		25/85	3700						√
DHT0A103^39H*	10		25/85	3975						√
DHT0B203^395*	20		25/50	3950						√
DHT0B203^420*	20		25/50	4200						√
DHT0B303^395*	30		25/50	3950						
DHT0B473^395*	47		25/50	3950						√
DHT0B503^395*	50		25/50	3950						√
DHT0B104^395*	100		25/50	3950						√
DHT0B104^400*	100		25/50	4000						√
DHT0A104^39H*	100		25/85	3975						√
DHT0A104^430*	100		25/85	4300						√
DHT0A204^400*	200		25/85	4000						√
DHT0A204^420*	200		25/85	4200						√
DHT0A204^430*	200		25/85	4300						√
DHT0B204^395*	200	25/50	3950	√						
DHT0B204^420*	200	25/50	4200	√						

Note 1: ^ = Tolerance of R<sub>25</sub>

Note 2: \* = Tolerance of B value